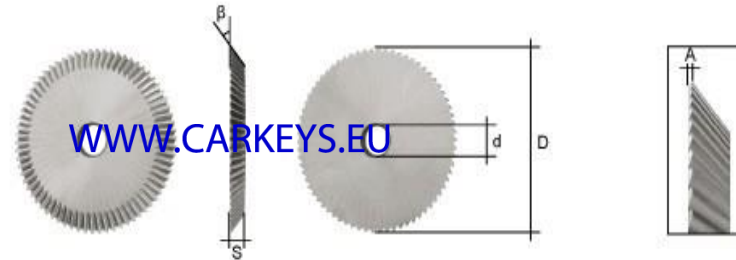
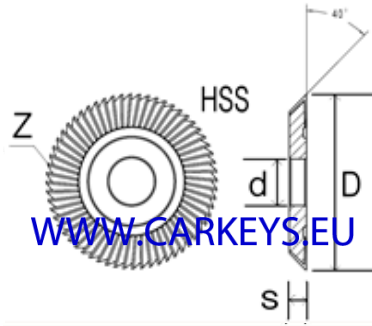


RAISE-Professional Manufacturer of Milling cutters for Duplicator machines

Milling cutter

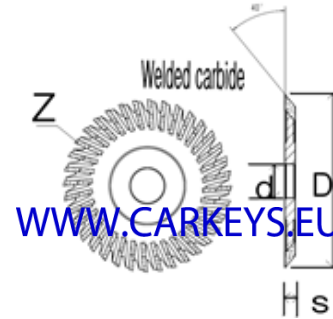


| Raise ref | Art.-No | Material | D (Ø) [mm] | S [mm] | d Ø [mm] | Z(Teeth) | Price (1-2pcs) | Price (3-10pcs) | | |
|-----------|------------|---------------|---------------|-----------|-------------|----------|-------------------|--------------------|--|--|
| | | HSS | 60 | 7 | 9.53 | 80 | 37EU | 28EU | | |
| | 0010B | HSS | 60 | 7.3 | 12.7 | 80 | 28EU | 23EU | | |
| | 0010# | HSS | 60 | 7.3 | 12.7 | 60 | 28EU | 23EU | | |
| | 0110# | HSS | 60 | 6 | 16 | 60 | 25EU | 20EU | | |
| | 0011B | HSS | 70 | 7.3 | 12.7 | 100 | 37EU | 28EU | | |
| | o012 | HSS | 70 | 6 | 20 | 80 | 37EU | 28EU | | |
| | 0114 C.C. | Solid CARBIDE | 60 | 6 | 16 | 60 | 85EU | 75EU | | |
| | 0011BC.C. | Solid CARBIDE | 70 | 7.3 | 12.7 | 80 | 85EU | 75EU | | |
| | 0010C C.C. | Solid CARBIDE | 60 | 7.3 | 12.7 | 72 | 85EU | 75EU | | |
| | 0011D C.C. | Solid CARBIDE | 70 | 6 | 12.7 | 80 | 85EU | 75EU | | |

SKYPE:andier.qian
+86-512-58913626

www.raisetool.com
andier.qian@raisetool.com

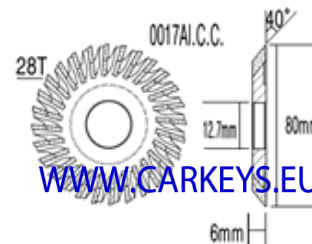
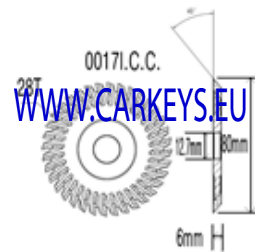
RAISE-Professional Manufacturer of Milling cutters for Duplicator machines



WWW.CARKEYS.EU

Welded carbide Angle milling cutters

| Raise ref | Art.-No | Material | D (∅) [mm] | S [mm] | d [mm] | Teeth | Price (1-2pcs) | Price (3-10pcs) | | |
|-----------|------------|----------------|------------|--------|--------|-------|----------------|-----------------|--|--|
| | 0010I.C.C | Welded carbide | 60 | 7.3 | 12.7 | 22 | 40EU | 32EU | | |
| | 0016AI.C.C | Welded carbide | 60 | 6 | 16 | 22 | 40EU | 32EU | | |
| | 0011CI.C.C | Welded carbide | 70 | 7.3 | 12.7 | 26 | 45EU | 35EU | | |
| | 0014I.C.C | Welded carbide | 80 | 5 | 16 | 36 | 55EU | 45EU | | |



| Raise ref | Art.-No | Material | D (∅) [mm] | S [mm] | d [mm] | Teeth | Price (1-2pcs) | Price (3-10pcs) | | |
|-----------|------------|----------------|------------|--------|--------|-------|----------------|-----------------|--|--|
| | 0017I.C.C | Welded carbide | 80 | 6 | 12.7 | 28 | 55EU | 45EU | | |
| | 0017AI.C.C | Welded carbide | 80 | 6 | 12.7 | 28 | 55EU | 45EU | | |

SKYPE:andier.qian
+86-512-58913626

www.raisetool.com
andier.qian@raisetool.com

RAISE-Professional Manufacturer of Milling cutters for Duplicator machines

Flat slotter



WWW.CARKEYS.EU

| Raise ref | Art.-No | Material | D (Ø) [mm] | S [mm] | d [mm] | Teeth | Price (1-2pcs) | Price (3-10pcs) | | |
|-----------|------------|---------------|------------|--------|--------|-------|----------------|-----------------|--|--|
| | 0020 C.C. | Solid carbide | 70 | 1.3 | 25.4 | 72 | 32EU | 25EU | | |
| | 0021 C.C. | Solid carbide | 70 | 1.15 | 25.4 | 72 | 32EU | 25EU | | |
| | 0022 C.C. | Solid carbide | 70 | 1.3 | 22 | 72 | 32EU | 25EU | | |
| | 0023 CC.C. | Solid carbide | 80 | 1.4 | 22 | 100 | 40EU | 32EU | | |
| | 0020# | HSS | 70 | 1.3 | 25.4 | 72 | 12EU | 9.5EU | | |
| | 0021# | HSS | 70 | 1.15 | 25.4 | 72 | 12EU | 9.5EU | | |
| | 0022# | HSS | 70 | 1.3 | 22 | 72 | 12EU | 9.5EU | | |
| | 0023# | HSS | 80 | 1.4 | 22 | 100 | 15EU | 12EU | | |

Price add 4.0usd if TiN Coated.

SKYPE:andier.qian
+86-512-58913626

www.raisetool.com
andier.qian@raisetool.com

RAISE-Professional Manufacturer of Milling cutters for Duplicator machines

Side milling cutter



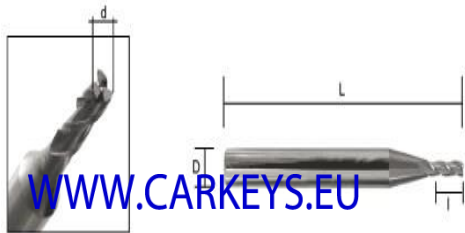
| Raise ref | Art.-No | Material | D (∅) [mm] | S [mm] | d [mm] | Teeth | Price (1-2pcs) | Price (3-10pcs) | | |
|-----------|----------|---------------|---------------|-----------|-----------|-------|-------------------|--------------------|--|--|
| | 0020A | HSS | 70 | 1.3 | 25.4 | 90 | 23EU | 18EU | | |
| | 0022A | HSS | 70 | 1.3 | 22 | 90 | 23EU | 18EU | | |
| | | HSS | 63 | 1.4 | 16 | 80 | 23EU | 18EU | | |
| | | HSS | 80 | 1.4 | 16 | 100 | 28EU | 22EU | | |
| | o023 | HSS | 80 | 1.4 | 22 | 100 | 28EU | 22EU | | |
| | | HSS | 80 | 1.5 | 22 | 100 | 28EU | 22EU | | |
| | 0020AC.C | Solid carbide | 70 | 1.3 | 25.4 | 72 | 38EU | 30EU | | |
| | 0022AC.C | Solid carbide | 70 | 1.3 | 22 | 72 | 38EU | 30EU | | |
| | | Solid carbide | 80 | 1.5 | 22 | 100 | 45EU | 35EU | | |
| | 0023C.C | Solid carbide | 80 | 1.4 | 22 | 100 | 45EU | 35EU | | |

Price add 4.0usd if TiN Coated.

SKYPE:andier.qian
+86-512-58913626

www.raisetool.com
andier.qian@raisetool.com

End milling cutter F, 3 teeth

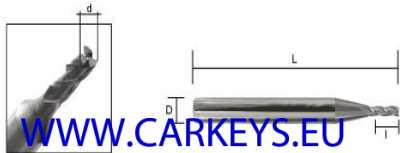


| Raise ref | Art.-No | Material | D (Ø) [mm] | S [mm] | d [mm] | Teeth | Price (1-2pcs) | Price (3-10pcs) | | |
|-----------|---------|----------|------------|--------|--------|-------|----------------|-----------------|--|--|
| | 0040# | HSS | 1.5 | | 45 | | 5EU | 3EU | | |
| | 0041# | HSS | 2 | | 45 | | 5EU | 3EU | | |
| | 0042# | HSS | 2.5 | | 45 | | 5EU | 3EU | | |
| | 0043# | HSS | 3 | | 45 | | 5EU | 3EU | | |
| | 0044# | HSS | 4 | | 45 | | 5EU | 3EU | | |
| | 0051# | HSS | 5 | | 45 | | 5EU | 3EU | | |

| | | | | | | | | | | |
|--|----------|---------|-----|--|----|--|-----|-----|--|--|
| | 0040#M42 | HSS M42 | 1.5 | | 45 | | 8EU | 6EU | | |
| | 0041#M42 | HSS M42 | 2 | | 45 | | 8EU | 6EU | | |
| | 0042#M42 | HSS M42 | 2.5 | | 45 | | 8EU | 6EU | | |
| | 0043#M42 | HSS M42 | 3 | | 45 | | 8EU | 6EU | | |
| | 0044#M42 | HSS M42 | 4 | | 45 | | 8EU | 6EU | | |
| | 0051#M42 | HSS M42 | 5 | | 45 | | 8EU | 6EU | | |

RAISE-Professional Manufacturer of Milling cutters for Duplicator machines

End milling cutter F, 3 teeth



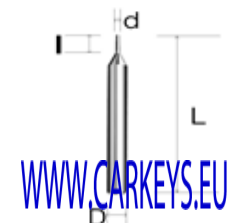
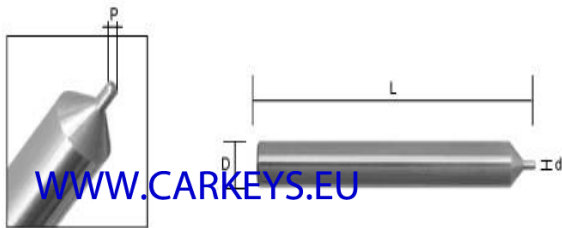
WWW.CARKEYS.EU

| Raise ref | Art.-No | Material | D (Ø) [mm] | S [mm] | d [mm] | Teeth | Price (1-2pcs) | Price (3-10pcs) | | |
|---|---------|---------------|---------------|-----------|-----------|-------|-------------------|--------------------|--|--|
| | 0040CA | Solid carbide | 6 | 1.5 | 40 | | 8EU | 6EU | | |
| | 0041CA | Solid carbide | 6 | 2 | 40 | | 8EU | 6EU | | |
| | 0042CA | Solid carbide | 6 | 2.5 | 40 | | 8EU | 6EU | | |
| | 0043CA | Solid carbide | 6 | 3 | 40 | | 8EU | 6EU | | |
| | 0044CA | Solid carbide | 6 | | 40 | | 8EU | 6EU | | |
| | 0051CA | Solid carbide | 6 | 5 | 40 | | 8EU | 6EU | | |
| 369, 368B,383AC,388AC,398AC,399AC,Q36,Q38,Q39 | | | | | | | | | | |

SKYPE:andier.qian
+86-512-58913626

www.raisetool.com
andier.qian@raisetool.com

Tracer point with 2 diameters



| Raise ref | Art.-No | Material | D (Ø) [mm] | S [mm] | d [mm] | Teeth | Price (1-2pcs) | Price (3-10pcs) | | |
|-----------|---------|----------|------------|--------|--------|-------|----------------|-----------------|--|--|
| 00-70 | 70 | HSS | 6 | 1.5 | 45 | | 2.7EU | 2.5EU | | |
| 00-71 | 71 | HSS | 6 | 2 | 45 | | 2.7EU | 2.5EU | | |
| 00-72 | 72 | HSS | 6 | 2.5 | 45 | | 2.7EU | 2.5EU | | |
| 00-73 | 73 | HSS | 6 | 3 | 45 | | 2.7EU | 2.5EU | | |
| 00-74 | 74 | HSS | 6 | 4 | 45 | | 2.7EU | 2.5EU | | |
| 00-75 | 75 | HSS | 6 | 5 | 45 | | 2.7EU | 2.5EU | | |

369, 368B,383AC,388AC,398AC,399AC,Q36,Q38,Q39

RAISE-Professional Manufacturer of Milling cutters for Duplicator machines



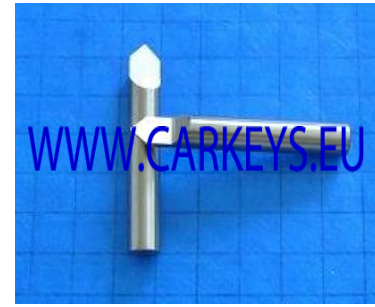
| Ref | Fit for Gladaid machine | Gladaid Ref | Mat. | D [mm] | U [mm] | L [mm] | Price (1-2pcs) | Price (3-10pcs) | | |
|---|-------------------------|-------------|---------------|--------|--------|--------|----------------|-----------------|--|--|
| 33.019.C00 | Mul-T-Lock | No.0100 | HSS | | | | 40EU | 30EU | | |
| | | No.0090 | Solid carbide | | | | | | | |
| | | No.0103 | HSS | | | | | | | |
| | | No.0093 | Solid carbide | | | | | | | |
| 369, 368B,383AC,388AC,398AC,399AC,Q36,Q38,Q39 | | | | | | | | | | |

SKYPE:andier.qian
+86-512-58913626

www.raisetool.com
andier.qian@raisetool.com

RAISE-Professional Manufacturer of Milling cutters for Duplicator machines

End milling cutter F, 1 tooth



| Raise ref | Art.-No | Material | D (Ø) [mm] | β (degree) | L [mm] | Flutes | Price (1-2pcs) | Price (3-10pcs) | | |
|---------------|---------|---------------|---------------|----------------|-----------|--------|-------------------|--------------------|--|--|
| Dimple cutter | 0060QC | Solid carbide | 6 | 80° | | | 8EU | 6EU | | |
| Dimple cutter | 0060BC | Solid carbide | 6 | 90° | | | 8EU | 6EU | | |
| Dimple cutter | 0060C | Solid carbide | 6 | 95° | | | 8EU | 6EU | | |
| Dimple cutter | 0062C | Solid carbide | 6 | 105° | | | 8EU | 6EU | | |
| Dimple cutter | 0063C | Solid carbide | 6 | 110° | | | 8EU | 6EU | | |
| Dimple cutter | 0061C | Solid carbide | 6 | 100° | | | 8EU | 6EU | | |
| Dimple cutter | 0064C | Solid carbide | 6 | 115° | | | 8EU | 6EU | | |
| Dimple cutter | 0065C | Solid carbide | 6 | 120° | | | 8EU | 6EU | | |

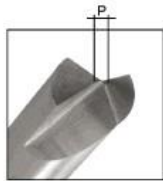
369, 368B,383AC,388AC,398AC,399AC,Q36,Q38,Q39

SKYPE:andier.qian
+86-512-58913626

www.raisetool.com
andier.qian@raisetool.com

RAISE-Professional Manufacturer of Milling cutters for Duplicator machines

End milling cutter W, 2 teeth, with slot



| Raise ref | Art.-No | Material | D (Ø) [mm] | β (degree) | L [mm] | Flutes | Price (1-2pcs) | Price (3-10pcs) | | |
|------------------------|---------|---------------|---------------|----------------|-----------|--------|-------------------|--------------------|--|--|
| Dimple cutter 2 flutes | | Solid carbide | 6 | 95° | | | 12EU | 9.5EU | | |
| Dimple cutter 2 flutes | | Solid carbide | 6 | 90° | | | 12EU | 9.5EU | | |

369, 368B,383AC,388AC,398AC,399AC,Q36,Q38,Q39

SKYPE:andier.qian
+86-512-58913626

www.raisetool.com
andier.qian@raisetool.com